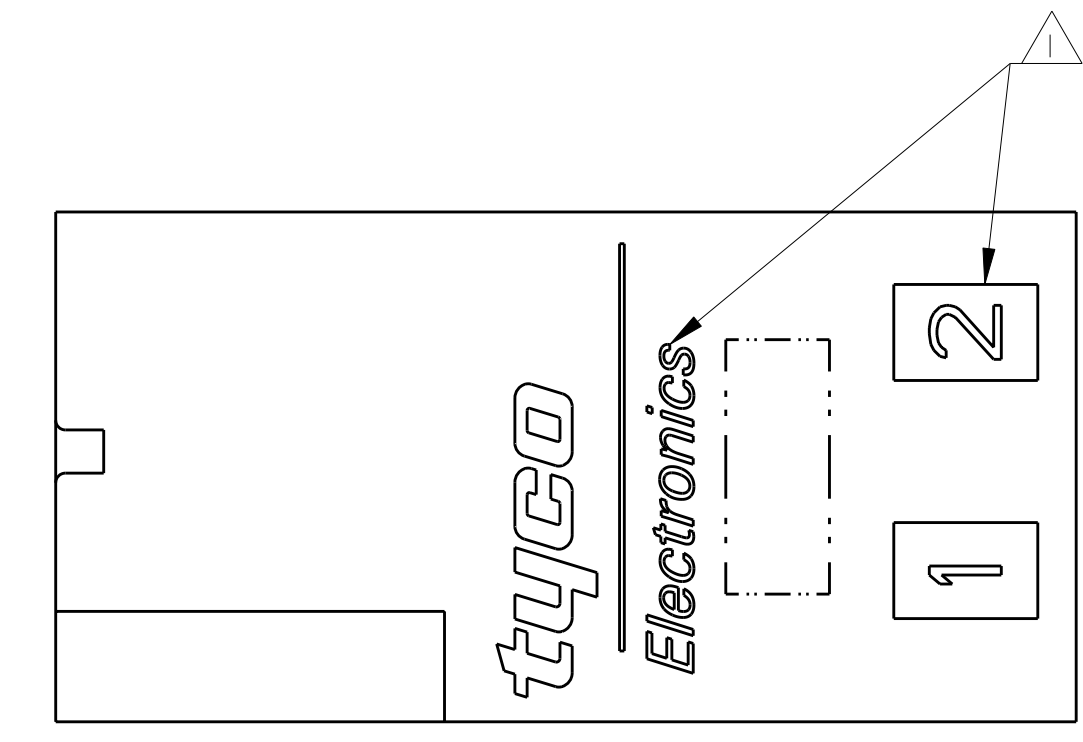
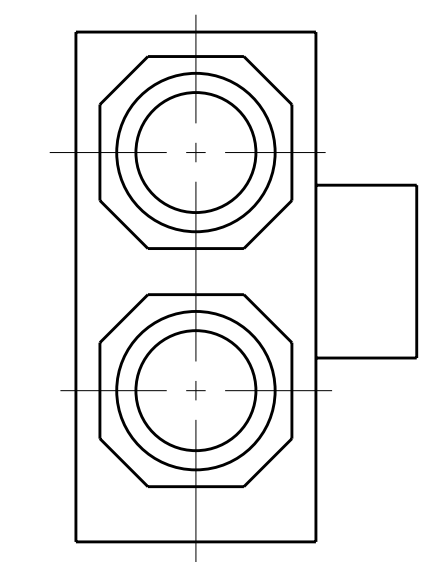
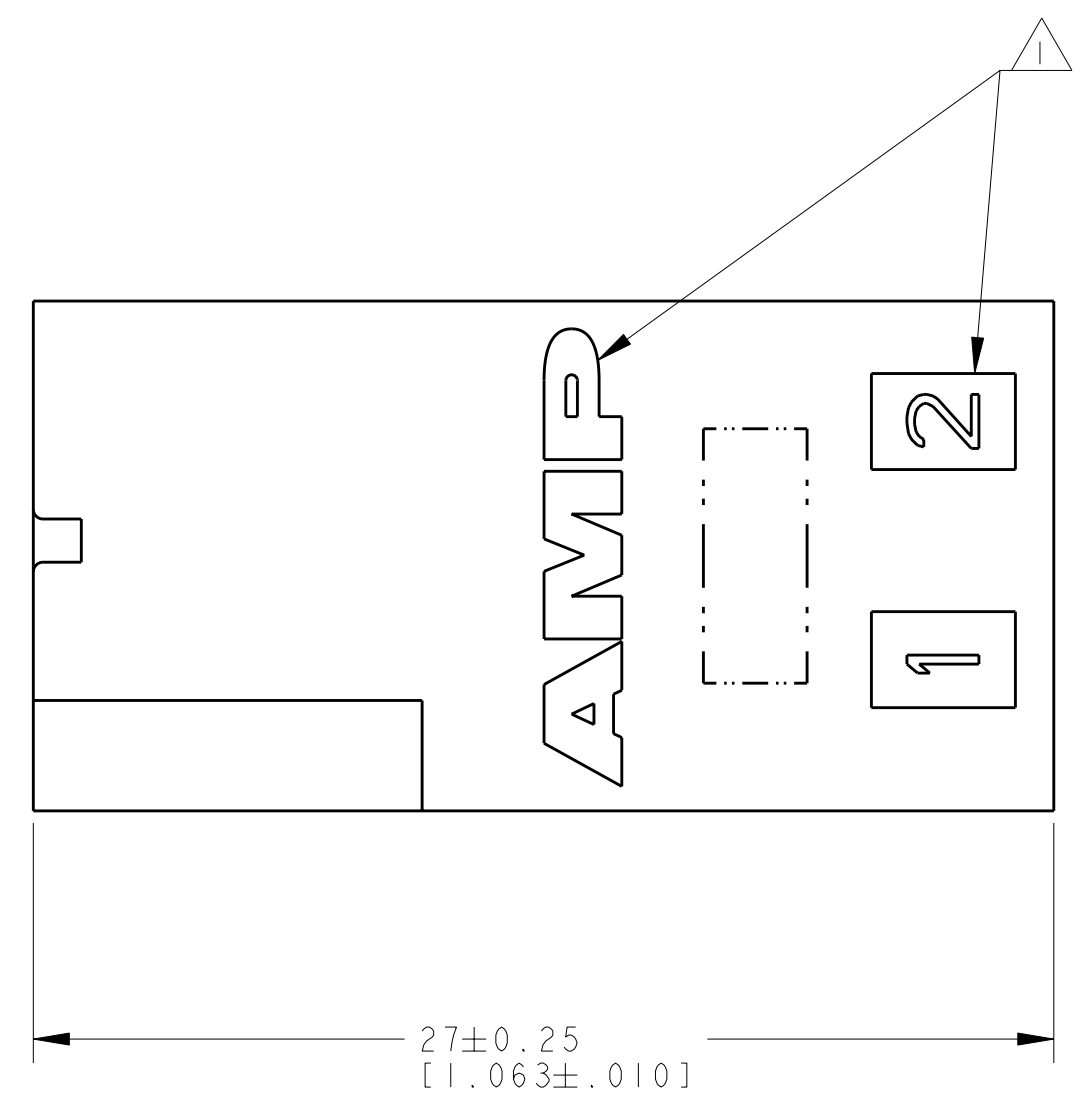
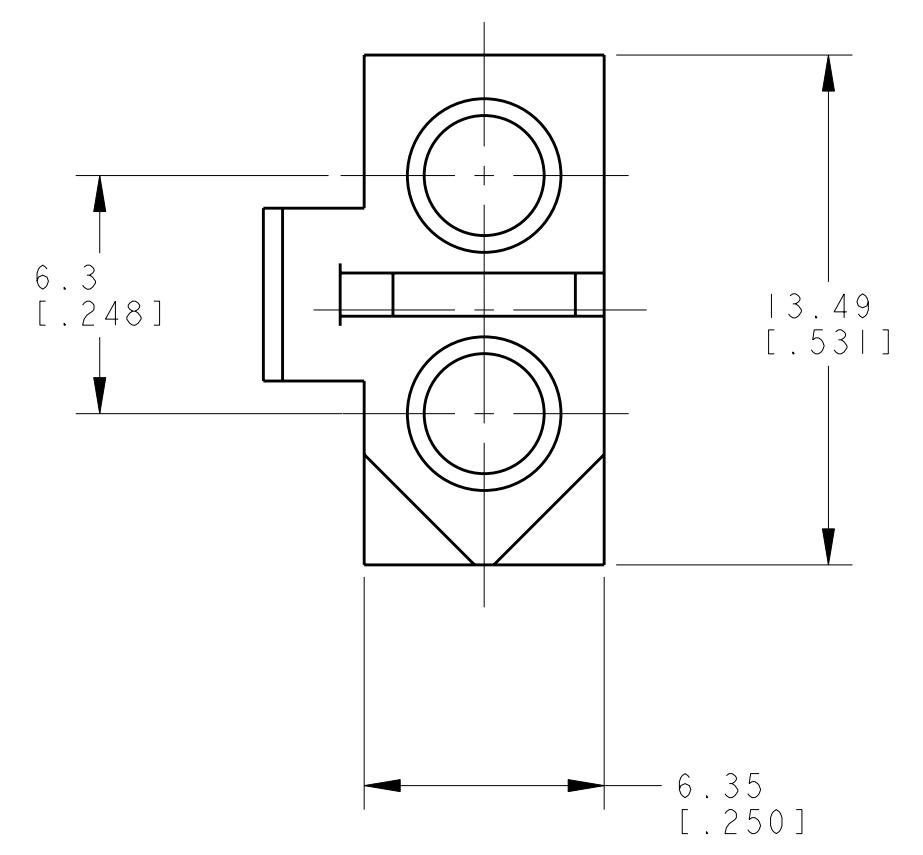
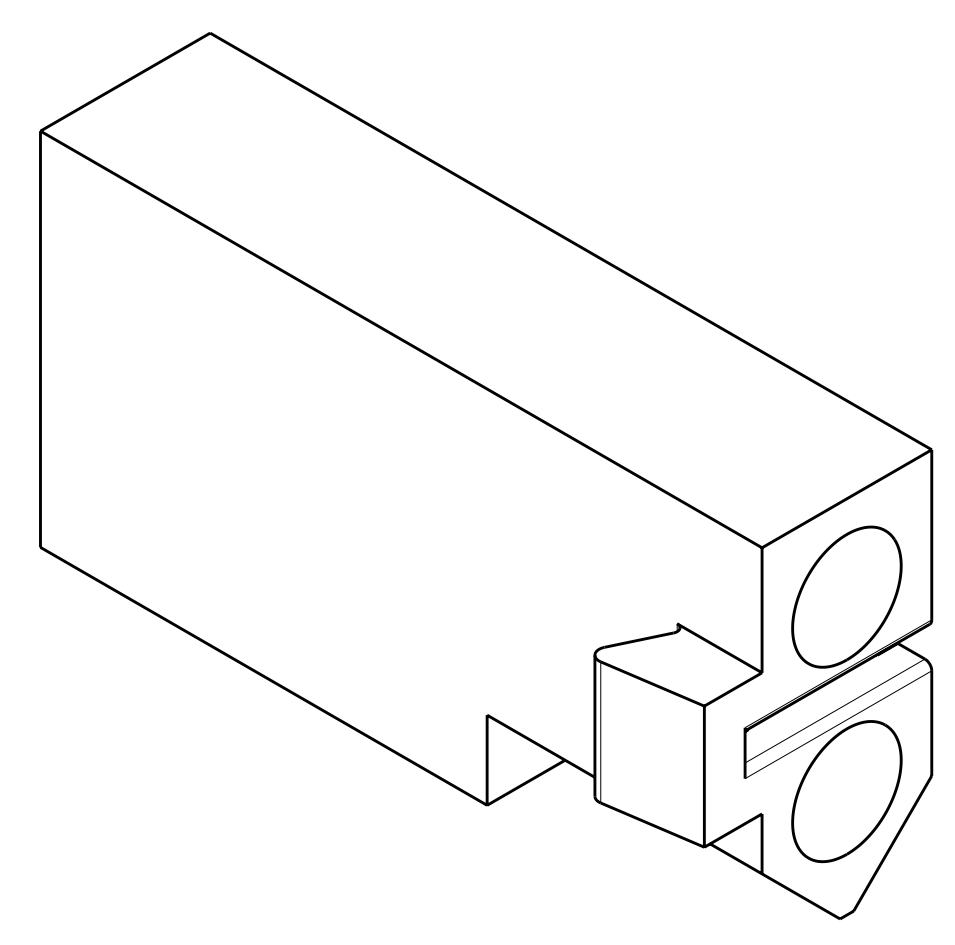


| LOC | DIST | REVISIONS |                           |             |        |
|-----|------|-----------|---------------------------|-------------|--------|
| CM  | 00   | REV       | DATE                      | DWN         | APVD   |
|     |      | D1        | REVISED PER ECR-10-007128 | 14 JUN 2010 | HMR KR |
|     |      |           |                           |             |        |
|     |      |           |                           |             |        |

- 1 AMP OR TYCO ELECTRONICS LOGO AND CIRCUIT NUMBERS LOCATED APPROXIMATELY AS SHOWN.
- 2 NYLON, ULV-2, NATURAL.
- 3 NYLON, ULV-0, NATURAL.



OPTIONAL CONSTRUCTION



**METRIC**

|          |             |
|----------|-------------|
| 3        | 770424-2    |
| 2        | 770424-1    |
| MATERIAL | PART NUMBER |

|                                                                                                                            |                                                                                                                              |                                                                                                                  |                                                              |
|----------------------------------------------------------------------------------------------------------------------------|------------------------------------------------------------------------------------------------------------------------------|------------------------------------------------------------------------------------------------------------------|--------------------------------------------------------------|
| <small>THIS DRAWING IS UNPUBLISHED. RELEASED FOR PUBLICATION BY TYCO ELECTRONICS CORPORATION. ALL RIGHTS RESERVED.</small> |                                                                                                                              | DWN: R. WHITAKER 09DEC2004<br>CHK: D. COLEY 09DEC2004<br>APVD: D. COLEY 09DEC2004                                | Tyco Electronics<br>Harrisburg, PA 17105-3608                |
| DIMENSIONS:<br>mm [INCHES]                                                                                                 | TOLERANCES UNLESS OTHERWISE SPECIFIED:<br>0 PLC ±<br>1 PLC ±<br>2 PLC ±0.13 (1.005)<br>3 PLC ±<br>4 PLC ±<br>ANGLES ±40° 30' | NAME: RECEPTACLE, POSITIVE LOCK, 2 CIRCUIT, .093 PIN AND SOCKET<br>PRODUCT SPEC:<br>APPLICATION SPEC:<br>WEIGHT: | SIZE: A   00779   C=770424<br>SCALE: 5:1 SHEET 1 OF 1 REV D1 |
| MATERIAL: SEE TABLE                                                                                                        | FINISH: -                                                                                                                    | CUSTOMER DRAWING                                                                                                 |                                                              |